



## Display Warmers

Models DW-CN-0025-L, 0045-L, 0080-L, 0115-L  
Items 41868, 41870, 41872, 41873

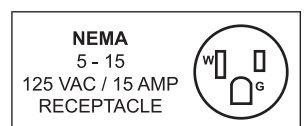
## Instruction Manual



Revised - 06/14/2021



Toll Free: 1-800-465-0234  
Fax: 905-607-0234  
Email: [service@omcan.com](mailto:service@omcan.com)  
[www.omcan.com](http://www.omcan.com)



# ***Table of Contents***

Model DW-CN-0025-L / Model DW-CN-0045-L  
Model DW-CN-0080-L / Model DW-CN-0115-L

---

<b>Section</b>	<b>Page</b>
General Information -----	3 - 4
Safety and Warranty -----	4 - 5
Technical Specifications -----	6
Installation and Operation -----	6
Maintenance -----	7
Parts Breakdown -----	8 - 13
Electrical Schematics -----	14 - 15
Notes -----	16 - 18
Warranty Registration -----	19



# General Information

---

Omcan Manufacturing and Distributing Company Inc., Food Machinery of America, Inc. dba Omcan and Omcan Inc. are not responsible for any harm or injury caused due to any person's improper or negligent use of this equipment. The product shall only be operated by someone over the age of 18, of sound mind, and not under the influence of any drugs or alcohol, who has been trained in the correct operation of this machine, and is wearing authorized, proper safety clothing. Any modification to the machine voids any warranty, and may cause harm to individuals using the machine or in the vicinity of the machine while in operation.

## CHECK PACKAGE UPON ARRIVAL

Upon receipt of an Omcan shipment please inspect for external damage. If no damage is evident on the external packaging, open carton to ensure all ordered items are within the box, and there is no concealed damage to the machine. If the package has suffered rough handling, bumps or damage (visible or concealed), please note it on the bill of lading before accepting the delivery and contact Omcan within 24 hours, so we may initiate a claim with the carrier. A detailed report on the extent of the damage caused to the machine must be filled out within three days, from the delivery date shown in the shipping documents. Omcan has no recourse for damaged products that were shipped collect or third party.

**Before operating any equipment, always read and familiarize yourself with all operation and safety instructions.**

Omcan would like to thank you for purchasing this machine. It's of the utmost importance to save these instructions for future reference. Also save the original box and packaging for shipping the equipment if servicing or returning of the machine is required.

---

Omcan Fabrication et distribution Compañie Limité et Food Machinery d'Amérique, dba Omcan et Omcan Inc. ne sont pas responsables de tout dommage ou blessure causé du fait que toute personne ait utilisé cet équipement de façon irrégulière. Le produit ne doit être exploité que par quelqu'un de plus de 18 ans, saine d'esprit, et pas sous l'influence d'une drogue ou d'alcool, qui a été formé pour utiliser cette machine correctement, et est vêtu de vêtements de sécurité approprié. Toute modification de la machine annule toute garantie, et peut causer un préjudice à des personnes utilisant la machine ou des personnes à proximité de la machine pendant son fonctionnement.

## VÉRIFIEZ LE COLIS DÈS RÉCEPTION

Dès réception d'une expédition d'Omcan veuillez inspecter pour dommages externes. Si aucun dommage n'est visible sur l'emballage externe, ouvrez le carton afin de s'assurer que tous les éléments commandés sont dans la boîte, et il n'y a aucun dommage dissimulé à la machine. Si le colis n'a subi aucune mauvaises manipulations, de bosses ou de dommages (visible ou cachée), notez-le sur le bond de livraison avant d'accepter la livraison et contactez Omcan dans les 24 heures qui suivent, pour que nous puissions engager une réclamation auprès du transporteur. Un rapport détaillé sur l'étendue des dommages causés à la machine doit être rempli dans un délai de trois jours, à compter de la date de livraison indiquée dans les documents d'expédition. Omcan n'a aucun droit de recours pour les produits endommagés qui ont été expédiés ou cueilli par un tiers transporteur.

# General Information

---

Avant d'utiliser n'importe quel équipement, toujours lire et vous familiariser avec toutes les opérations et les consignes de sécurité.

Omcan voudrais vous remercier d'avoir choisi cette machine. Il est primordial de conserver ces instructions pour une référence ultérieure. Également conservez la boîte originale et l'emballage pour l'expédition de l'équipement si l'entretien ou le retour de la machine est nécessaire.

---

Omcan Empresa De Fabricacion Y Distribucion Inc. Y Maquinaria De Alimentos De America, Inc. dba Omcan y Omcan Inc. no son responsables de ningun daño o perjuicio causado por cualquier persona inadecuada o el uso descuidado de este equipo. El producto solo podra ser operado por una persona mayor de 18 años, en su sano juicio y no bajo alguna influencia de droga o alcohol, y que este ha sido entrenado en el correcto funcionamiento de esta máquina, y ésta usando ropa apropiada y autorizada. Cualquier modificación a la máquina anula la garantía y puede causar daños a las personas usando la máquina mientras esta en el funcionamiento.

## REVISE EL PAQUETE A SU LLEGADA

Tras la recepcion de un envio Omcan favor inspeccionar daños externos. Si no hay daños evidentes en el empaque exterior, Habra el carton para asegurarse que todos los articulos solicitados estén dentro de la caja y no encuentre daños ocultos en la máquina. Si el paquete ha sufrido un manejo de poco cuidado, golpes o daños (visible o oculto) por favor anote en la factura antes de aceptar la entrega y contacte Omcan dentro de las 24 horas, de modo que podamos iniciar una reclamación con la compañía. Un informe detallado sobre los daños causados a la máquina debe ser llenado en el plazo de tres días, desde la fecha de entrega que se muestra en los documentos de envío. Omcan no tiene ningun recurso por productos dañados que se enviaron a recoger por terceros.

Antes de utilizar cualquier equipo, siempre lea y familiarizarse con todas las instrucciones de funcionamiento y seguridad.

Omcan le gustaría darle las gracias por la compra de esta máquina. Es de la mayor importancia para salvar estas instrucciones para futuras consultas. Además, guarda la caja original y el embalaje para el envío del equipo si servicio técnico o devolución de la máquina que se requiere.

# Safety and Warranty

---

- To prevent hazards and to ensure optimum efficiency, no modifications or alterations to the device that are not explicitly approved by the manufacturer may be undertaken.
- The device should be never left unattended during operation. Keep the device away from children.
- Keep this manual in a safe location. When passing on/selling the device to a third party, the manual must be handed over along with the device.
- Every person using the device must follow the safety warnings in this manual at all times.
- The device is to be used indoors only.



# Safety and Warranty

- Any technical service, including assembly and maintenance are to be made by a qualified Omcan service technician only.
- This appliance is not intended for use by persons (including children) with reduced physical, sensory or mental capabilities, or lack of experience and knowledge, unless they have been given supervision or instruction concerning use of the appliance by a person responsible for their safety.
- Children should be supervised to ensure that they do not play with the appliance.

**This device may only be operated in technically proper and safe condition.**

<b>Exclusive Power Socket</b> The power receptacle must have a reliable grounded connection.	<b>No Share on Socket</b> Never let the device share the common socket with other appliance, otherwise the cable becomes hot and fire might be resulted.
<b>Protect Cables</b> Never break or damage the cables otherwise current leakage and fire might be resulted.	<b>No Water Flushing</b> Never give the device surface a flush otherwise current leakage might be resulted.
<b>Prevent from Flammables and Explosive</b> Never put any flammable or explosive inside the device such as ether, gasoline, alcohol, adhesive and explosive. Never put dangerous product nearby the device.	

**RESIDENTIAL USERS: Vendor assumes no liability for parts or labor coverage for component failure or other damages resulting from installation in non-commercial or residential applications. The right is reserved to deny shipment for residential usage; if this occurs, you will be notified as soon as possible.**

## 1 YEAR PARTS AND LABOR BENCH WARRANTY

**Within the warranty period, contact Omcan Inc. at 1-800-465-0234 to schedule a drop off to either an Omcan authorized service depot in the area, or to an Omcan Service warehouse to repair the equipment.**

**Unauthorized maintenance will void the warranty. Warranty covers electrical and part failures, not improper use.**

**Please see <https://omcan.com/disclaimer> for complete info.**

### WARNING:

The packaging components are classified as normal solid urban waste and can therefore be disposed of without difficulty.

**In any case, for suitable recycling, we suggest disposing of the products separately (differentiated waste) according to the current norms.**

**DO NOT DISCARD ANY PACKAGING MATERIALS IN THE ENVIRONMENT!**

# Technical Specifications

Model	DW-CN-0025-L	DW-CN-0045-L	DW-CN-0080-L	DW-CN-0115-L
Temperature Range	30 - 90°C / 86 - 194°F			
Input Power	800 W		1000 W	1250 W
Electrical	110V / 60 Hz / 1			
Storage Capacity	25 L / 0.9 cu. ft.	45 L / 1.6 cu. ft.	80 L / 2.8 cu. ft.	115 L / 4.1 cu. ft.
Weight	27.3 lbs. / 12.4 kgs.	31.7 lbs. / 14.4 kgs.	36.2 lbs. / 16.4 kgs.	43.4 lbs. / 19.7 kgs.
Dimensions	22" x 15" x 12" 554 x 376 x 311mm	22" x 15" x 15" 554 x 376 x 376mm	27.6" x 15.8" x 14.8" 700 x 400 x 376mm	27.6" x 15.8" x 19.5" 700 x 400 x 500mm
Item Number	41868	41870	41872	41873

# Installation and Operation

## INSTALLATION

- Place the device on top of an even and stable surface which supports the weight of the device and is not heat sensitive.
- At no time should you place the device on an inflammable surface (such as table cloth, carpet, ect).
- You must not position the device near an open fireplace, electric oven/arc furnace/electric heater or other heat sources.
- Position the device in such a way that the plug is easily accessible.

## OPERATION

- Before the first use, clean the inner sides and the placing grids with a soft cloth and a mild cleaning agent. Afterwards, dry the device thoroughly.
- Remove the water bowl from the device and fill it.
- Connect the device to a single grounded power socket.
- Set the temperature as required for respective foods. You may adjust the desired temperature in the range between 30 - 90°C.
- The temperature inside of the hot display can be read from the front display.
- Put the foods in appropriate containers before placing them inside the hot display and shut it by using the sliding door.
- Some of the parts can become very hot, always use safety gloves when placing or removing foods.
- The food is kept warm at the temperature set by you previously.
- In order to place or remove foods, you may open the door on the back of the unit.
- The inner light can be turned on at any time by using the light switch on the device.
- Disconnect the device from the power socket when the device is not in use.

# *Maintenance*

---

- Before starting any repair or cleaning, make sure the device has been disconnected from the power socket and has cooled down completely.
- Don't use any acidic agents and make sure no water enters the device.
- To protect yourself from electric shock, never immerse the device, its cables or the plug in water or other liquids.
- Do not use a pressured water jet to clean.

## **CLEANING**

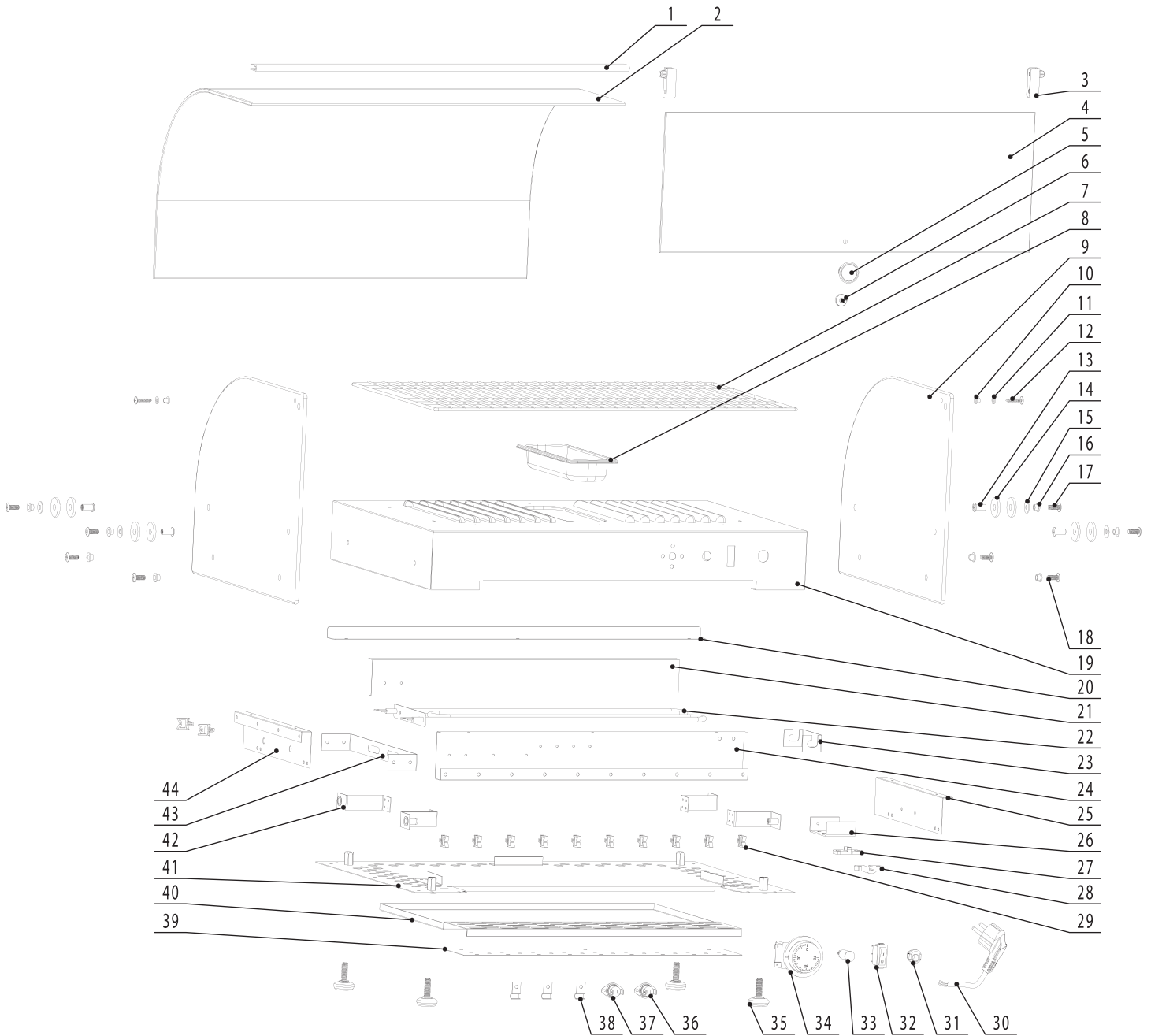
- The device should be cleaned regularly.
- Clean the unit and placing grids with a soft, damp cloth and a mild cleaning agent.
- Clean the water bowl regularly. Calcifications on the water bowl may be removed with common agents or liquids.
- Only use a soft cloth and make sure you never use any kind of abrasive agents or pads which could scratch the surface.
- After the cleaning procedure, you should use a soft and dry cloth to wipe the surface.
- Make sure the device has been cleaned properly before storing it in a dry place.

## **MAINTENANCE**

- Check the main power cable from time to time to ensure it is not damaged in any way. Never use the device if it is damaged. If the power cable is damaged, it must be replaced by a qualified electrician.
- Only a qualified technician should carry out repairs and maintenance of the device. Do not attempt to repair the device by yourself.

# Parts Breakdown

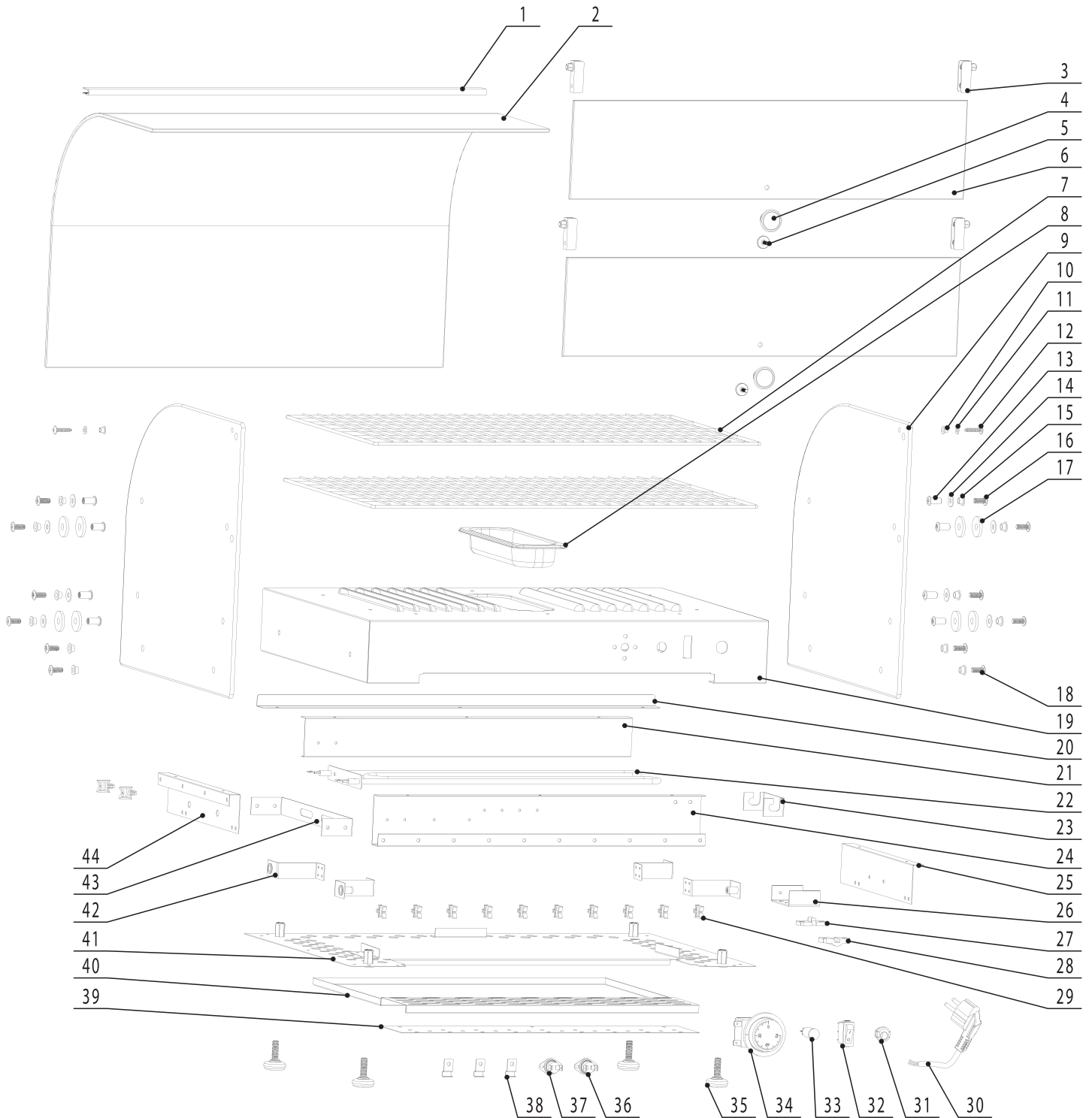
Model DW-CN-0025-L 41868





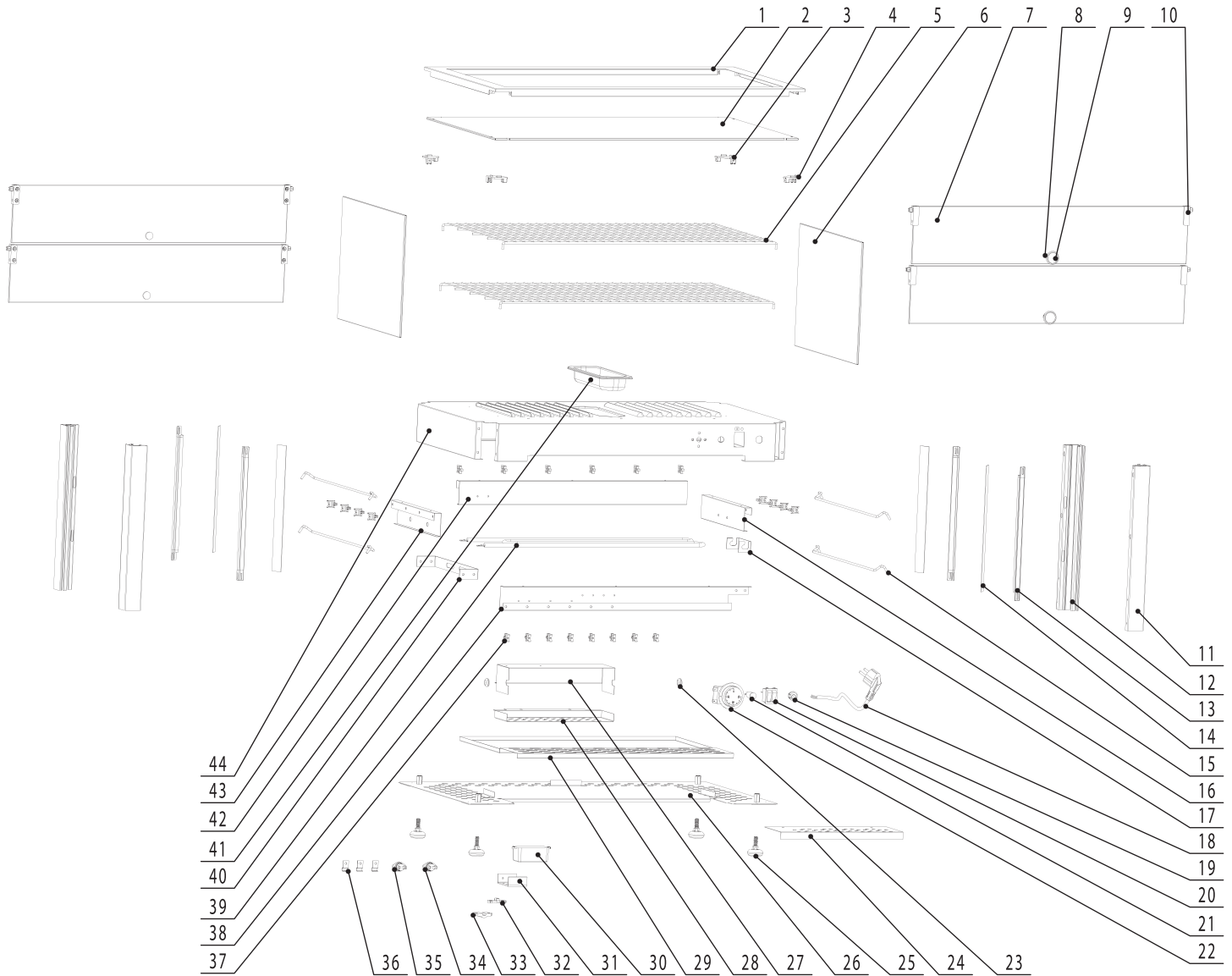
# Parts Breakdown

Model DW-CN-0045-L 41870



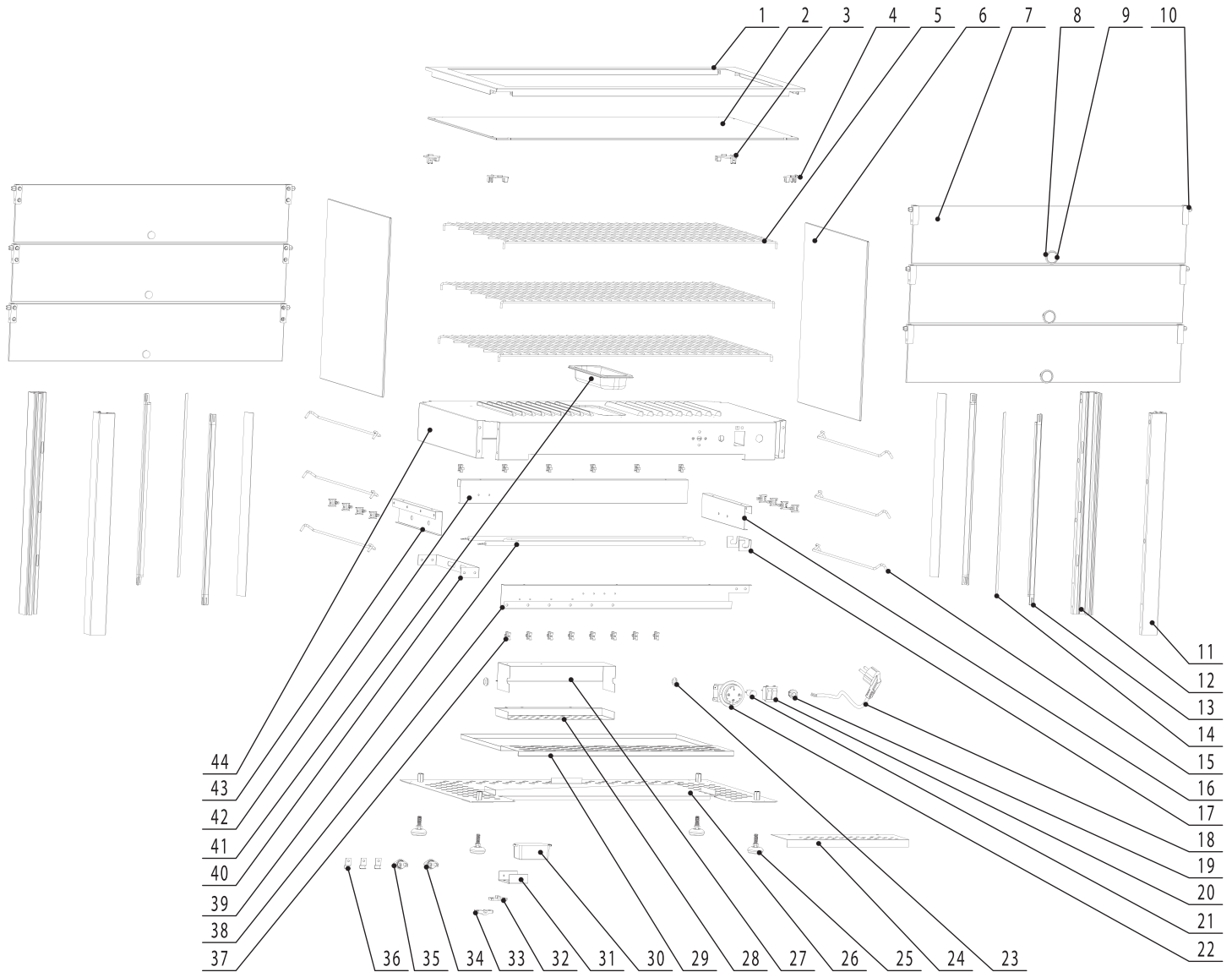
# Parts Breakdown

Model DW-CN-0080-L 41872



# Parts Breakdown

Model DW-CN-0115-L 41873



# Parts Breakdown

## Model DW-CN-0025-L 41868

Item No.	Description	Position	Item No.	Description	Position	Item No.	Description	Position
69075	Glass Bracket for 41868	1	69081	Stainless Steel Flat Washer 6x16x1 for 41868	15	78121	Plug-Type Fixer for 41868	29
78072	Curved Glass for 41868	2	69082	T-Type Washer M6 for 41868	16	60214	Power Line for 41868	30
78036	Door Hinge for 41868	3	69083	Screw M6x15 for 41868	17	79291	Wire Clip for 41868	31
78110	Door Glass for 41868	4	69084	Screw M6x20 for 41868	18	30597	Switch for 41868	32
78035	Handle for 41868	5	69085	Middle Panel for 41868	19	60218	Indicator Light for 41868	33
78034	Nail for Glass for 41868	6	78080	Baseboard Hanger for 41868	20	78061	Probe Pressing Plate for 41868	34, 38
78077	Shelf for 41868	7	78081	Front Panel for 41868	21	60181	Adjustable Feet for 41868	35
60735	Water Receiver for 41868	8	60738	Heating Element for 41868	22	71661	Control 150°C for 41868	36
78079	Side Glass for 41868	9	78043	Heating Element Frame 2 for 41868	23, 43	71662	Control 125°C for 41868	37
69077	T-Type Washer M5 for 41868	10	78083	Rear Panel for 41868	24	78097	Baffle for 41868	39
69078	Washer M5 for 41868	11	69087	Right Panel for 41868	25	78098	Drawer for 41868	40
69079	Stainless Steel Screws for 41868	12	78056	Cable Clip Fixer for 41868	26	69088	Side Glass for 41868	41
69080	Nut M6x15 for 41868	13	61246	Wire Clip Holder for 41868	27	69089	Panel Bracket for 41868	42
60198	Vibration Absorbing Gasket for 41868	14	61245	Wire Clip Cover for 41868	28	69090	Right Panel for 41868	44

## Model DW-CN-0045-L 41870

Item No.	Description	Position	Item No.	Description	Position	Item No.	Description	Position
69075	Glass Bracket for 41870	1	69082	T-Type Washer M6 for 41870	15	78121	Plug-Type Fixer for 41870	29
78106	Curved Glass for 41870	2	69083	Screw M6x15 for 41870	16	60214	Power Line for 41870	30
78036	Door Hinge for 41870	3	60198	Vibration Absorbing Gasket for 41870	17	79291	Wire Clip for 41870	31
78035	Handle for 41870	4	69084	Screw M6x20 for 41870	18	30597	Switch for 41870	32
78034	Nail for Glass for 41870	5	69085	Middle Panel for 41870	19	60218	Indicator Light for 41870	33
78110	Door Glass for 41870	6	78080	Baseboard Hanger for 41870	20	78061	Probe Pressing Plate for 41870	34, 38
78077	Shelf for 41870	7	78081	Front Panel for 41870	21	60181	Adjustable Feet for 41870	35
60735	Water Receiver for 41870	8	60738	Heating Element for 41870	22	71661	Control 150°C for 41870	36
78113	Side Glass for 41870	9	78043	Heating Element Frame 2 for 41870	23, 43	71662	Control 125°C for 41870	37
69077	T-Type Washer M5 for 41870	10	78083	Rear Panel for 41870	24	78097	Baffle for 41870	39
69078	Washer M5 for 41870	11	69087	Right Panel for 41870	25	78098	Drawer for 41870	40
69079	Stainless Steel Screws for 41870	12	78056	Cable Clip Fixer for 41870	26	78099	Baseboard for 41870	41
69080	Nut M6x15 for 41870	13	61246	Wire Clip Holder for 41870	27	69089	Panel Bracket for 41870	42
69081	Stainless Steel Flat Washer 6x16x1 for 41870	14	61245	Wire Clip Cover for 41870	28	69090	Right Panel for 41870	44



# Parts Breakdown

## Model DW-CN-0080-L 41872

Item No.	Description	Position	Item No.	Description	Position	Item No.	Description	Position
78027	Decorative Frame for 41872	1	78042	Right Panel for 41872	16	78056	Cable Clip Fixer for 41872	31
78028	Top Glass for 41872	2	69097	Heating Element Hanger 1 for 41872	17	61246	Wire Clip Holder for 41872	32
78030	Top Glass Base A for 41872	3	60214	Power Line for 41872	18	61245	Wire Clip Cover for 41872	33
78029	Top Glass Base B for 41872	4	79291	Wire Clip for 41872	19	71661	Control 150°C for 41872	34
78031	Shelf for 41872	5	70688	Switch for 41872	20	71662	Control 125°C for 41872	35
69088	Side Glass for 41872	6	60218	Indicator Light for 41872	21	78061	Probe Pressing Plate for 41872	36
78033	Door Glass for 41872	7	71640	Temperature Thermostat for 41872	22	78062	Plug-Type Fixer for 41872	37
78034	Nail for Glass for 41872	8	69095	Double-Face Protective Ring for 41872	23	78063	Rear Panel for 41872	38
78035	Handle for 41872	9	78050	Baffle for 41872	24	69096	Heating Element for 41872	39
78036	Door Hinge for 41872	10	60181	Adjustable Feet for 41872	25	78043	Heating Element Frame 2 for 41872	40
69091	A-Pillar for 41872	11	78052	Baseboard for 41872	26	60735	Water Receiver for 41872	41
69092	B-Pillar for 41872	12	78053	Electric Box for 41872	27	78066	Front Panel for 41872	42
69093	LED for 41872	13	78054	Electric Cover for 41872	28	78067	Left Panel for 41872	43
69094	LED Separator for 41872	14	78055	Drawer for 41872	29	78068	Grill for 41872	44
78041	Shelf Frame for 41872	15	60145	#6 Driver for 41872	30			

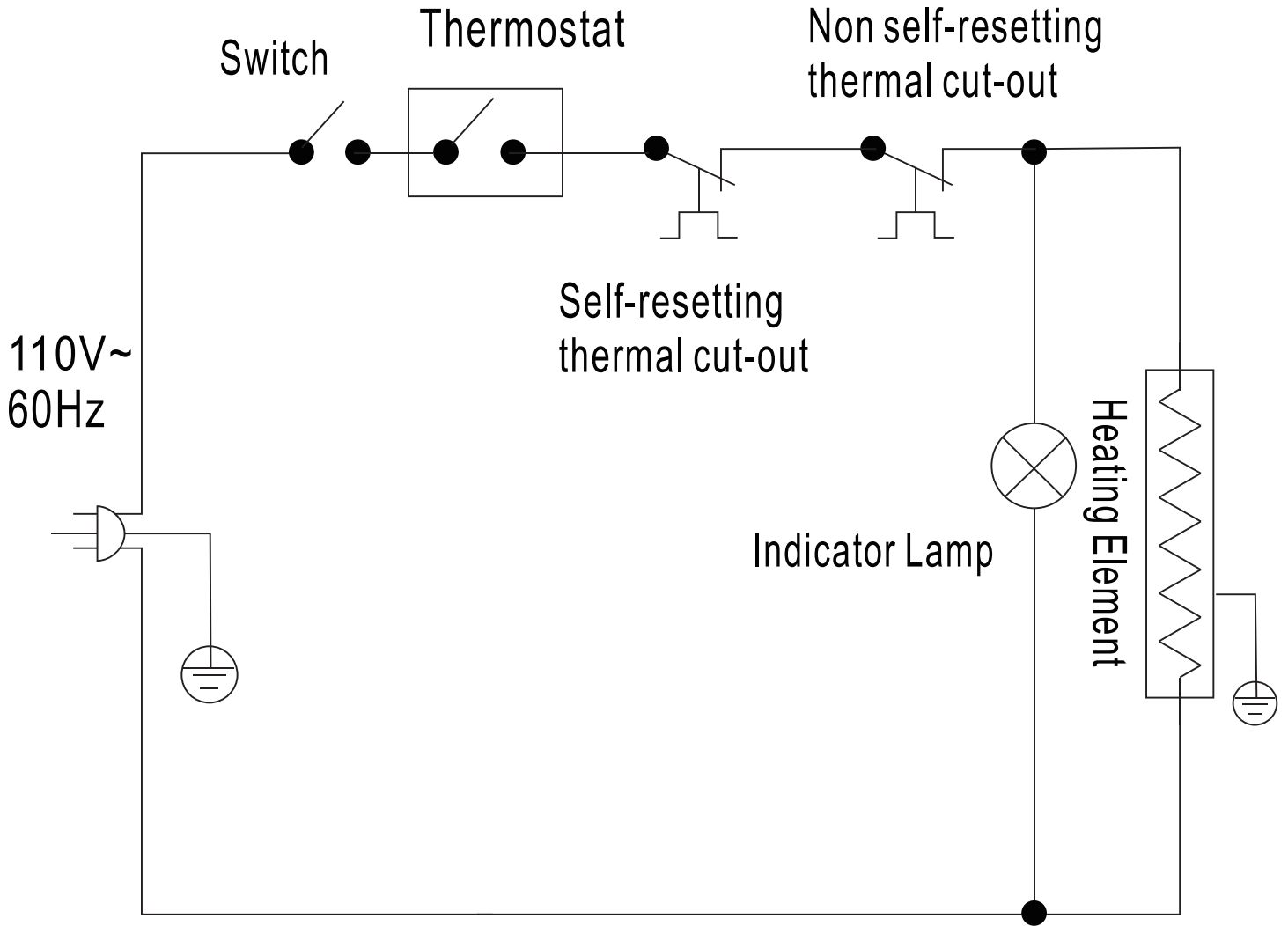
## Model DW-CN-0115-L 41873

Item No.	Description	Position	Item No.	Description	Position	Item No.	Description	Position
78027	Decorative Frame for 41873	1	78042	Right Panel for 41873	16	78056	Cable Clip Fixer for 41873	31
78028	Top Glass for 41873	2	69097	Heating Element Hanger 1 for 41873	17	61246	Wire Clip Holder for 41873	32
78030	Top Glass Base A for 41873	3	69098	Power Line for 41873	18	61245	Wire Clip Cover for 41873	33
78029	Top Glass Base B for 41873	4	79291	Wire Clip for 41873	19	71661	Control 150°C for 41873	34
78031	Shelf for 41873	5	70688	Switch for 41873	20	71662	Control 125°C for 41873	35
78032	Side Glass for 41873	6	60218	Indicator Light for 41873	21	78061	Probe Pressing Plate for 41873	36
78033	Door Glass for 41873	7	71640	Temperature Thermostat for 41873	22	78062	Plug-Type Fixer for 41873	37
78034	Nail for Glass for 41873	8	69095	Double-Face Protective Ring for 41873	23	78063	Rear Panel for 41873	38
78035	Handle	9	78050	Baffle for 41873	24	69096	Heating Element for 41873	39
78036	Door Hinge for 41873	10	60181	Adjustable Feet for 41873	25	78043	Heating Element Frame 2 for 41873	40
78037	Pillar A for 41873	11	78052	Baseboard for 41873	26	60735	Water Receiver for 41873	41
78038	Pillar B for 41873	12	78053	Electric Box for 41873	27	78066	Front Panel for 41873	42
78039	LED Light for 41873	13	78054	Electric Cover for 41873	28	78067	Left Panel for 41873	43
78040	LED Partition for 41873	14	78055	Drawer for 41873	29	78068	Grill for 41873	44
78041	Shelf Frame for 41873	15	60145	#6 Driver for 41873	30			

# Electrical Schematics

**Model DW-CN-0025-L** 41868

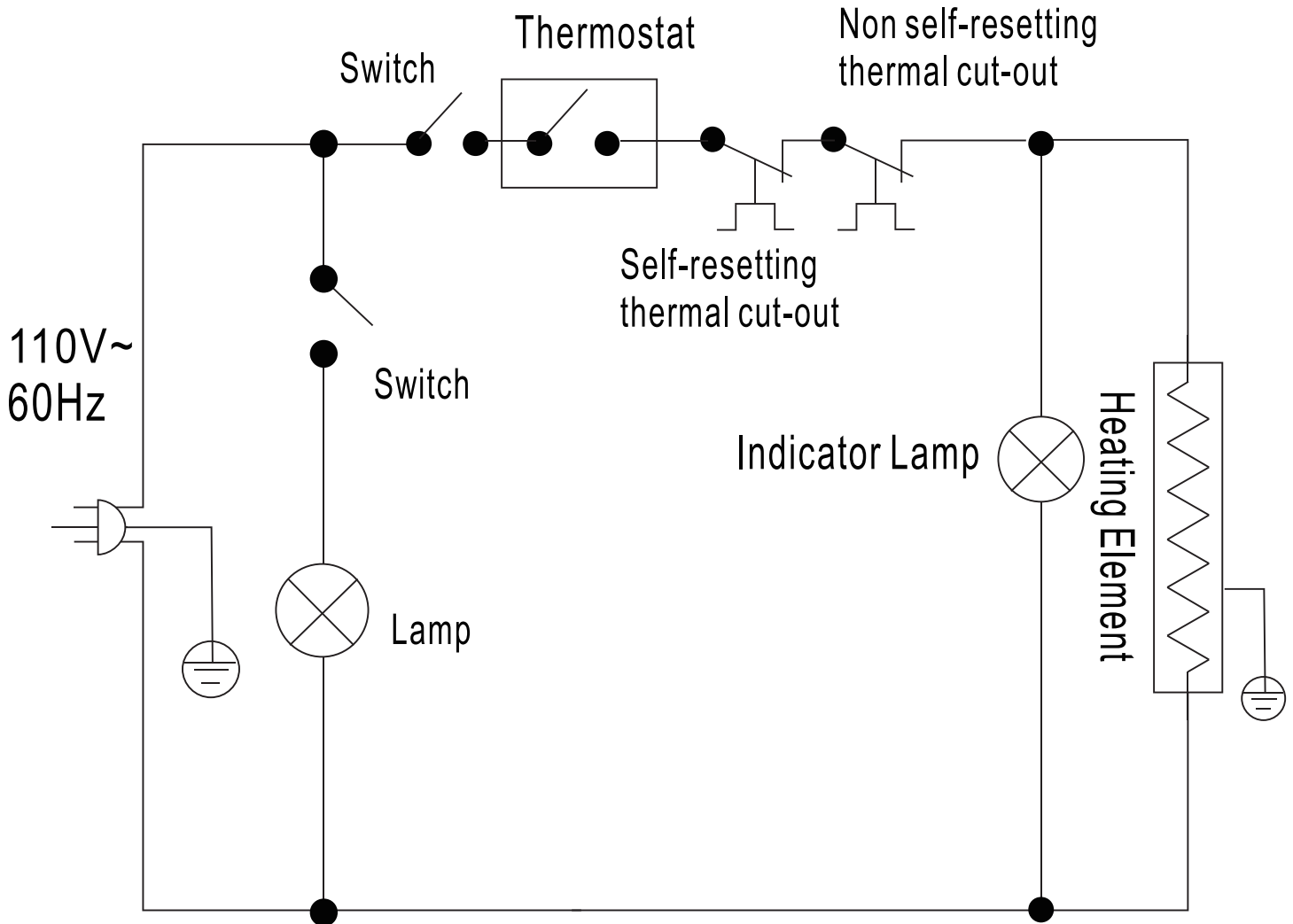
**Model DW-CN-0045-L** 41870



# Electrical Schematics

Model DW-CN-0080-L 41872

Model DW-CN-0115-L 41873









# Notes

---

---

---

---

---

---

---

---

---

---

---

---

---

---

---

---

---

---

---

---

---

---

---

---

---

---

---

---

---



# Warranty Registration

Thank you for purchasing an Omcan product. To register your warranty for this product, complete the information below, tear off the card at the perforation and then send to the address specified below. You can also register online by visiting:

Merci d'avoir acheté un produit Omcan. Pour enregistrer votre garantie pour ce produit, complétez les informations ci-dessous, détachez la carte au niveau de la perforation, puis l'envoyer à l'adresse spécifiée ci-dessous. Vous pouvez également vous inscrire en ligne en visitant:

Gracias por comprar un producto Omcan usted. Para registrar su garantía para este producto, complete la información a continuación, cortar la tarjeta en la perforación y luego enviarlo a la dirección indicada a continuación. También puede registrarse en línea en:

<https://omcan.com/warranty-registration/>

For mailing in Canada

Pour postale au Canada

Por correo en Canadá

**OMCAN**

PRODUCT WARRANTY REGISTRATION

3115 Pepper Mill Court,

Mississauga, Ontario

Canada, L5L 4X5

For mailing in the US

Pour diffusion aux États-Unis

Por correo en los EE.UU.

**OMCAN**

PRODUCT WARRANTY REGISTRATION

4450 Witmer Industrial Estates, Unit 4,

Niagara Falls, New York

USA, 14305

*or email to: [service@omcan.com](mailto:service@omcan.com)*



Purchaser's Information

Name: \_\_\_\_\_

Address: \_\_\_\_\_

City: \_\_\_\_\_ Province or State: \_\_\_\_\_ Postal or Zip: \_\_\_\_\_

Country: \_\_\_\_\_

Dealer from which Purchased: \_\_\_\_\_

Dealer City: \_\_\_\_\_ Dealer Province or State: \_\_\_\_\_

Invoice: \_\_\_\_\_

Model Name: \_\_\_\_\_ Model Number: \_\_\_\_\_

Machine Description: \_\_\_\_\_

Date of Purchase (MM/DD/YYYY): \_\_\_\_\_

Would you like to extend the warranty?  Yes  No

Company Name: \_\_\_\_\_

Telephone: \_\_\_\_\_

Email Address: \_\_\_\_\_

Type of Company:

Restaurant  Bakery  Deli

Butcher  Supermarket  Caterer

Institution (specify): \_\_\_\_\_

Other (specify): \_\_\_\_\_

Serial Number: \_\_\_\_\_

Date of Installation (MM/DD/YYYY): \_\_\_\_\_

**Thank you for choosing Omcan | Merci d'avoir choisi Omcan | Gracias por elegir Omcan**



Since 1951 Omcan has grown to become a leading distributor of equipment and supplies to the North American food service industry. Our success over these many years can be attributed to our commitment to strengthen and develop new and existing relationships with our valued customers and manufacturers. Today with partners in North America, Europe, Asia and South America, we continually work to improve and grow the company. We strive to offer customers exceptional value through our qualified local sales and service representatives who provide convenient access to over 5,000 globally sourced products.

---

Depuis 1951 Omcan a grandi pour devenir un des “leaders” de la distribution des équipements et matériel pour l’industrie des services alimentaires en Amérique du Nord. Notre succès au cours de ces nombreuses années peut être attribué à notre engagement à renforcer et à développer de nouvelles et existantes relations avec nos clients et les fabricants de valeur. Aujourd’hui avec des partenaires en Amérique du Nord, Europe, Asie et Amérique du Sud, nous travaillons continuellement à améliorer et développer l’entreprise. Nous nous efforçons d’offrir à nos clients une valeur exceptionnelle grâce à nos ventes locales qualifiées et des représentants de service qui offrent un accès facile à plus de 5000 produits provenant du monde entier.

---

Desde 1951 Omcan ha crecido hasta convertirse en un líder en la distribución de equipos y suministros de alimentos en América del Norte industria de servicios. Nuestro éxito en estos años se puede atribuir a nuestro compromiso de fortalecer y desarrollar nuevas relaciones existentes con nuestros valiosos clientes y fabricantes. Hoy con socios de América del Norte, Europa, Asia y América del Sur, que trabajan continuamente para mejorar y crecer la empresa. Nos esforzamos por ofrecer a nuestros clientes valor excepcional a través de nuestro local de ventas y representantes de los servicios que proporcionan un fácil acceso a más de 5,000 productos con origen a nivel mundial.

